

HEATIT Z-WATER

Installation guide

01.07.2017

Regulator for water-based heating systems

Analog inputs - Firmware ver. 1.0



CONTENTS

3	1. PRODUCT DESCRIPTION
3-5	2. INSTALLATION GUIDELINES
5	3. BEHAVIOUR WITHIN THE Z-WAVE NETWORK
5	4. FACTORY RESET
6-7	5. ASSOCIATION GROUPS
8-9	6. CONFIGURATION PARAMETERS
10	7. COMMAND CLASSES
11	8. TECHNICAL SPECIFICATION

1. PRODUCT DESCRIPTION

Heatit Z-Water is a regulator that clips right onto a DIN rail to add a variety of functions to your wireless Z-Wave network. Heatit Z-Water is equipped with 10 relay outputs and 4 analog inputs, and a Z-Wave radio for interfacing to the wireless Z-Wave network.

The regulator can be power supplied from a 230V AC mains connection, and is able to deliver an output supply of 24V DC.

Heatit Z-Water relay outputs are able to be freely controlled from the Z-Wave network, and can be used for several purposes, e.g. on/off control of light, control of valve actuators for an underfloor heating system, or control of other home automation systems.

Heatit Z-Water inputs are analog inputs for interfacing simple temperature sensors; NTC, PT1000, etc. It is possible to configure the level- and the indication of the status indicator LED in the front of the Heatit Z-Water regulator.

2. INSTALLATION GUIDELINES

ATTENTION: only authorized technicians under consideration of the country-specific installation guidelines/norms may do works with 230 Volt mains power. Prior to the assembly of the product, the voltage network has to be switched off and ensured against re-switching.

Use the following procedure to install Heatit Z-Water:

1. Use a flat object (such as a flat-head screwdriver) to pull the DIN rail release tab downward.
2. Place the top of the Heatit Z-Water rail mount over the top of the DIN rail.
3. Tilt the bottom of the Heatit Z-Water toward the DIN rail until it snaps into place..

NOTE: WHEN MOUNTING DIN RAIL PRODUCTS, USE A FLAT-HEAD SCREWDRIVER TO PULL THE DIN RAIL RELEASE TAB WHILE SNAPPING THE DEVICE ONTO THE DIN RAIL.

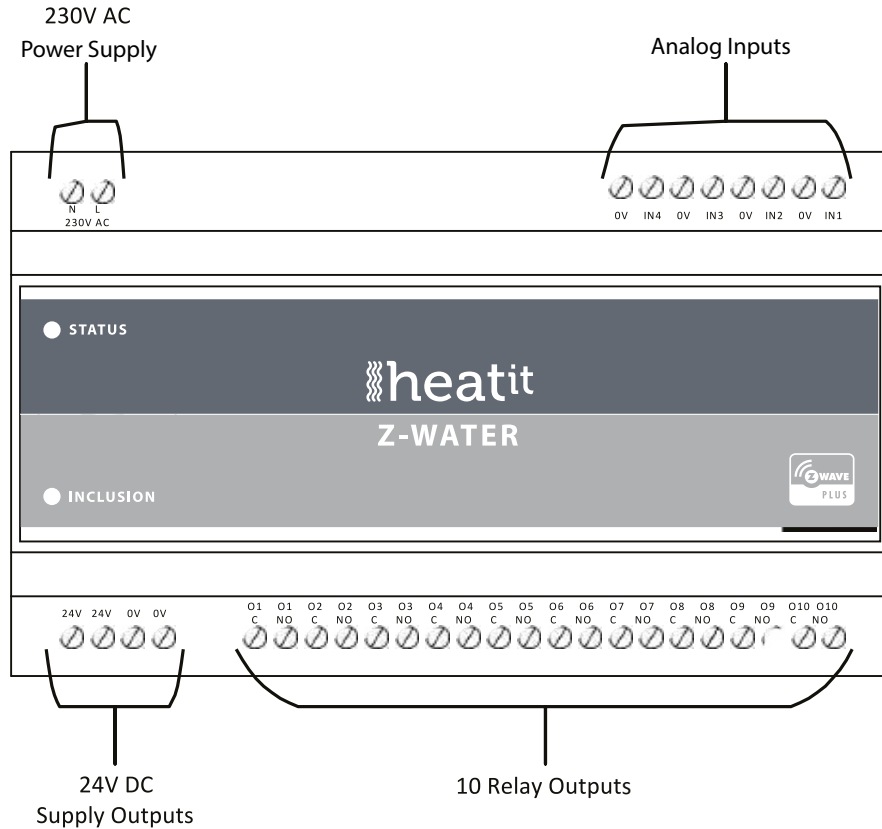
Make any necessary connections to the device, and apply power after all connections have been made.

PREPARING AND CONNECTING WIRES

When making connections, strip the ends of the wires approximately 6 mm. Use care to avoid nicking the conductors. Tighten the connector to 0.5 Nm. The wire gauge should be 12 to 30 AWG.

CONNECTIONS

In the drawing below is the different module connections shown.



230V AC Power Supply

Terminals for connecting the 230V AC mains power supply. The module has an internal fuse that can be replaced by opening the cover of the module, please see Technical Specification section for which type of fuses that can be used.

Analog Inputs

Terminals for the 4 analog inputs.

24V DC Supply Outputs

Terminals for the 24V DC power supply output that can be used to be switched through the relay outputs.

Relay Outputs

Terminals for the 10 relay outputs, with 2 screw terminals for each output, a Common and Normally Open terminal.

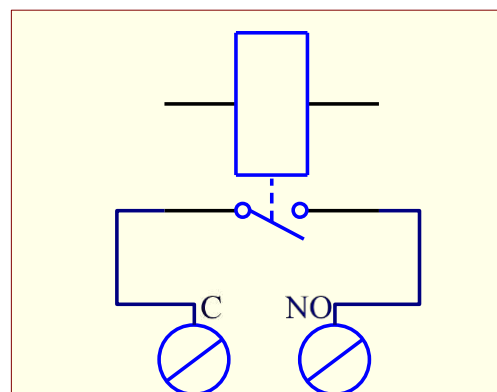
2.1. Inputs

The inputs of Heatit Z-Water is analogue temperature inputs and the type of the connected thermistor can be selected by means of a configuration parameter for each of the inputs. See configuration parameters 3, 4, 5 and 6. When these parameters are supplied in the configuration parameters for the input, then the input will be able to be used as a temperature measuring input, and the sensor devices in Heatit Z-Water will be able to report the temperatures as Multilevel Sensor values.

NB! The inputs are per default not configured to any type of thermistor, so in order to make an input able to report temperature measuring it must be configured to the appropriate thermistor type. See configuration parameters 3, 4, 5 and 6.

2.2. Relay Outputs

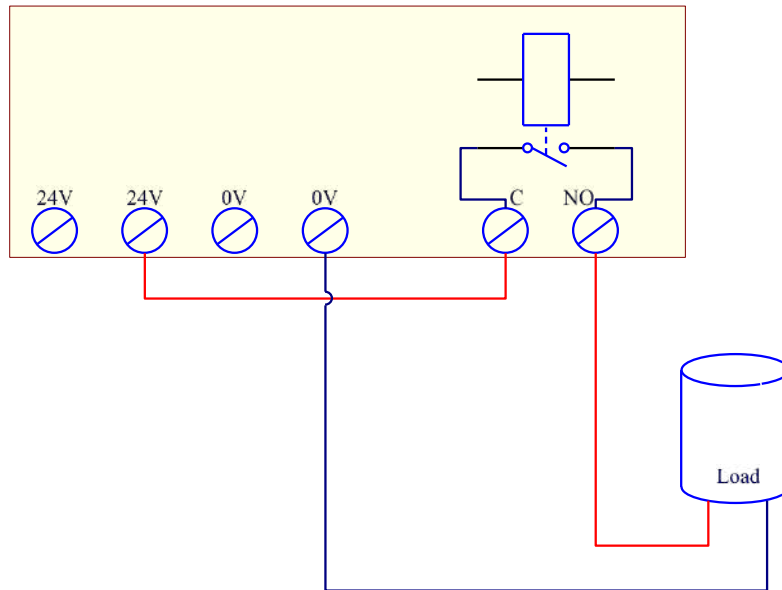
Heatit Z-Water relay outputs are Normally-Open relay contact outputs, that can be used to switch the supply voltage to different kind of loads, see the technical specification for types of supported loads.



Schematic outlines of how the relay outputs are implemented internally

2.3. 24V DC Output

Heatit Z-Water is supplied with a 24V DC output that can be used for supplying power to the loads that can be connected to relay outputs. The supply can, for example be used for powering 24V valve actuators. See the section with technical specifications for the performance of the 24V power supply.



Schematic outline example of how the 24V supply output, together with a relay output, can be used to control a load.

3. BEHAVIOUR WITHIN THE Z-WAVE NETWORK

This product can be operated in any Z-Wave network with other Z-Wave certified devices from other manufacturers. All non-battery operated nodes within the network will act as repeaters regardless of vendor to increase reliability of the network.

On delivery, the device does not belong to any Z-Wave network. The device needs to be added to an existing wireless network to communicate with the devices of this network. Devices can also be removed from a network. Both add and remove process are initiated by the primary controller of the Z-Wave network. This controller will be turned into a mode for adding or removing devices. Please refer to your primary controller's manual on how to turn your controller into add or remove mode. Only if the primary controller is in add or remove mode, this device can be added or removed from the network. When the device is removed from the network, it will set the device back to factory default.

If the device already belongs to a network, follow the remove process before adding it in your network. Otherwise, the adding of this device will fail. Place your primary controller in Adding Mode by following the manufacturer's instructions, then activate the add mode on the device by clicking the small button through the little hole, marked with the text "INCLUSION", in front of the Heatit Z-Water regulator. The Adding Mode is indicated by Heatit Z-Water status LED is blinking until a timeout occurs after 10 seconds or if the module has been added to the Z-Wave network.

The device is removed in the same manner, when the controller is put into Removing Mode.

4. FACTORY RESET

Heatit Z-Water can be factory reset by pressing the small button through the little hole, marked with the text "INCLUSION", in front of the Heatit Z-Water regulator for at least 10 seconds.

NOTE: ONLY USE THIS PROCEDURE WHEN THE PRIMARY NETWORK CONTROLLER IS MISSING OR IS OTHERWISE INOPERABLE.

5. ASSOCIATION GROUPS

From a Controller's point of view, Heatit Z-Water will consists of a root device and 14 endpoint devices - if the Controller is supporting Multichannel devices, otherwise is only the root device seen by the Controller (endpoint 0).

The devices are:

- Root device; an intersection of all the devices (endpoint 0).
- 10 switch devices to control each of the relay outputs (endpoint 1 – 10).
- 4 sensor devices representing the analogue inputs (endpoint 11 – 14).

Below is an overview of all the devices and the association groups for each device.

The first number in the association group number indicates the group number for actual device, and the second number is the group number on the root device (endpoint 0).

DEVICE 1 (ENDPOINT 1)	RELAY OUTPUT 1
Group 1 / 1	Lifeline. Sends Device Reset notifications and Basic Report On / Off when relay output 1 is activated. Max. nodes in the group: 5
DEVICE 2 (ENDPOINT 2)	RELAY OUTPUT 2
Group 1 / -	Lifeline. Sends Basic Report On / Off when relay output 2 is activated. Max. nodes in the group: 5
DEVICE 3 (ENDPOINT 3)	RELAY OUTPUT 3
Group 1 / -	Lifeline. Sends Basic Report On / Off when relay output 3 is activated. Max. nodes in the group: 5
DEVICE 4 (ENDPOINT 4)	RELAY OUTPUT 4
Group 1 / -	Lifeline. Sends Basic Report On / Off when relay output 4 is activated. Max. nodes in the group: 5
DEVICE 5 (ENDPOINT 5)	RRELAY OUTPUT 5
Group 1 / -	Lifeline. Sends Basic Report On / Off when relay output 5 is activated. Max. nodes in the group: 5
DEVICE 6 (ENDPOINT 6)	RELAY OUTPUT 6
Group 1 / -	Lifeline. Sends Basic Report On / Off when relay output 6 is activated. Max. nodes in the group: 5
DEVICE 7 (ENDPOINT 7)	RELAY OUTPUT 7
Group 1 / -	Lifeline. Sends Basic Report On / Off when relay output 7 is activated. Max. nodes in the group: 5
DEVICE 8 (ENDPOINT 8)	RELAY OUTPUT 8
Group 1 / -	Lifeline. Sends Basic Report On / Off when relay output 8 is activated. Max. nodes in the group: 5
DEVICE 9 (ENDPOINT 9)	RELAY OUTPUT 9
Group 1 / -	Lifeline. Sends Basic Report On / Off when relay output 9 is activated. Max. nodes in the group: 5
DEVICE 10 (ENDPOINT 10)	RELAY OUTPUT 10
Group 1 / -	Lifeline. Sends Basic Report On / Off when relay output 10 is activated. Max. nodes in the group: 5
DEVICE 11 (ENDPOINT 11)	ANALOG INPUT 1
Group 1 / -	Lifeline. NOP Max. nodes in the group: 5
Group 2 / 2	Sends Multilevel Sensor Reports for input 1. Max. nodes in the group: 5

DEVICE 12 (ENDPOINT 12)	ANALOG INPUT 2
Group 1 / -	Lifeline. NOP Max. nodes in the group: 5
Group 2 / 3	Sends Multilevel Sensor Reports for input 2. Max. nodes in the group: 5
DEVICE 13 (ENDPOINT 13)	ANALOG INPUT 3
Group 1 / -	Lifeline. NOP Max. nodes in the group: 5
Group 2 / 4	Sends Multilevel Sensor Reports for input 3. Max. nodes in the group: 5
DEVICE 14 (ENDPOINT 14)	ANALOG INPUT 4
Group 1 / -	Lifeline. NOP Max. nodes in the group: 5
Group 2 / 5	Sends Multilevel Sensor Reports for input 4. Max. nodes in the group: 5

6. CONFIGURATION PARAMETERS

Z-Wave products are supposed to work out of the box after they are added to the Z-Wave network, however certain configuration of a device can alter the functionality to better serve the needs of the user's or unlock further enhanced features.

Parameter 1, Parameter size 1 byte. Status LED.

Configuration of the status LED.

VALUE	DESCRIPTION
0	LED turned off.
1	LED turned on. (Default)
2	LED flashing at 1 second intervals (½ Hz).
3	LED flashing at ½ second interval (1 Hz).

Parameter 2, Parameter size 1 byte. Status LED brightness level.

Configure the percentage of light in the status LED, when the LED is turned on

VALUE	DESCRIPTION
0 - 100	Specifies the brightness level of the LED when it is on. Default is 50.

Parameter 3, Parameter size 1 byte. Thermistor type connected to input 1.

This parameter decides which kind of thermistor that is connected to the input.

VALUE	DESCRIPTION
0	No thermistor, input is disabled. (Default)
1	10K NTC. (PART NUMBER: TT02-10KC3-93D-3000R-TPH)

Parameter 4, Parameter size 1 byte. Thermistor type connected to input 2.

This parameter decides which kind of thermistor that is connected to the input.

VALUE	DESCRIPTION
0	No thermistor, input is disabled. (Default)
1	10K NTC. (PART NUMBER: TT02-10KC3-93D-3000R-TPH)

Parameter 5, Parameter size 1 byte. Thermistor type connected to input 3.

This parameter decides which kind of thermistor that is connected to the input.

VALUE	DESCRIPTION
0	No thermistor, input is disabled. (Default)
1	10K NTC. (PART NUMBER: TT02-10KC3-93D-3000R-TPH)

Parameter 6, Parameter size 1 byte. Thermistor type connected to input 4.

This parameter decides which kind of thermistor that is connected to the input.

VALUE	DESCRIPTION
0	No thermistor, input is disabled. (Default)
1	10K NTC. (PART NUMBER: TT02-10KC3-93D-3000R-TPH)

Parameter 7, Parameter Size 1. Input 1 calibration.

Configures the functionality of input 1.

VALUE	DESCRIPTION
-40 - 40	-4.0°C – 4.0°C. Default is 0 (0.0°C).

Parameter 8, Parameter size 1 byte. Input 2 calibration.

Configures the functionality of input 2.

VALUE	DESCRIPTION
-40 - 40	-4.0°C – 4.0°C. Default is 0 (0.0°C).

Parameter 9, Parameter size 1 byte. Input 3 calibration.

Configures the functionality of input 3.

VALUE	DESCRIPTION
-40 - 40	-4.0°C – 4.0°C. Default is 0 (0.0°C).

Parameter 10, Parameter size 1 byte. Input 4 calibration.

Configures the functionality of input 4.

VALUE	DESCRIPTION
-40 - 40	-4.0°C – 4.0°C. Default is 0 (0.0°C).

Parameter 11, Parameter Size 2. Input 1 report interval.

Time interval between consecutive temperature reports. Temperature reports can be also sent as a result of polling.

VALUE	DESCRIPTION
0	Reporting of temperatures disabled.
1 - 8640	Multiply with 10 seconds, 10 seconds – 24 hours. Default is 6 (60 seconds).

Parameter 12, Parameter Size 2. Input 2 report interval.

Time interval between consecutive temperature reports. Temperature reports can be also sent as a result of polling.

VALUE	DESCRIPTION
0	Reporting of temperatures disabled.
1 - 8640	Multiply with 10 seconds, 10 seconds – 24 hours. Default is 6 (60 seconds).

Parameter 13, Parameter Size 2. Input 3 report interval.

Time interval between consecutive temperature reports. Temperature reports can be also sent as a result of polling.

VALUE	DESCRIPTION
0	Reporting of temperatures disabled.
1 - 8640	Multiply with 10 seconds, 10 seconds – 24 hours. Default is 6 (60 seconds).

Parameter 14, Parameter Size 2. Input 4 report interval.

Time interval between consecutive temperature reports. Temperature reports can be also sent as a result of polling.

VALUE	DESCRIPTION
0	Reporting of temperatures disabled.
1 - 8640	Multiply with 10 seconds, 10 seconds – 24 hours. Default is 6 (60 seconds).

7. COMMAND CLASSES

SUPPORTED COMMAND CLASSES

- Association (version 2)
- Association Group Information (version 1)
- Multi Channel Association (version 3)
- Version (version 2)
- Configuration (version 3)
- Manufacturer Specific (version 2)
- Z-Wave Plus Information (version 2)
- Device Reset Locally (version 1)
- Security (version 2)
- Powerlevel (version 1)
- Multi Channel (version 4)
- Basic (version 2)
- Supervision (version 1)
- Multilevel Sensor (version 5)

CONTROLLED COMMAND CLASSES

- Multilevel Sensor (version 5)

8. TECHNICAL SPECIFICATIONS

Power supply	100V-240V AC 50/60Hz
Fuse	3.15A Quick-Acting, UMF 250 Schurter Inc., part no: 3405.0171.11
24V DC output	Maximum 1.17A, 28W
Relay outputs	Rated carry current: 5A Max. switching voltage: 250V AC, 30V DC Max. switching current: 5A Max. switching power: 1,250 VA, 150W
Inputs	Max. input voltage: 10V DC Input impedance: 10K Ohm Loop output voltage: 5V DC
Connection terminals	Solid wire: 30-12 AWG / 0.05-3.31 mm ² Stranded wire: 30-12 AWG / 0.05-3.31 mm ² Torque: 4 Lb. In / 0.5 Nm Wire stripe length: 6 mm Screw: M2.5
Power consumption	0.6 W standby
Radio protocol	Z-Wave®: EU 868.4MHz – 500 Series.
Approvals	CE EN 50491-3: 2009 EN 60669-2: 2004 Z-Wave Plus (pending)
Explorer Frame Support	Yes
SDK	6.71.00
	Supports protected mode: S0, S2 Access Control Clas, S2 Authenticated Class, S2 Unauthenticated Class
Device Type	Slave with routing capabilities
Generic Device Class	Binary Switch.
Specific Device Class	Valve Open Close
Routing	Yes
FLiRS	No
Z-Wave Plus	Yes
Z-Wave Security	S0, S2 Unauthenticated, S2 Authenticated
Firmware Version	0.61

Thermo-Floor AS cannot be held liable for typographical errors, other errors or omissions in our information.

Product specifications may change without further notice.

All electrical installations must be carried out by a licensed electrician.

The product must be installed in accordance with national building codes and our installation guides.